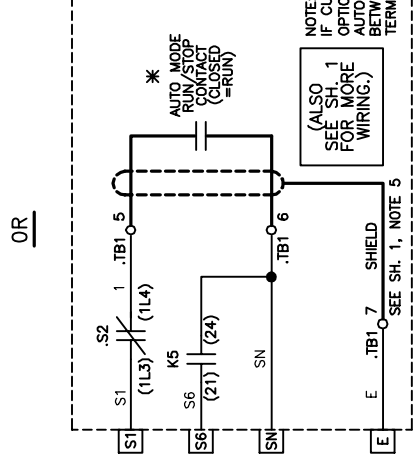
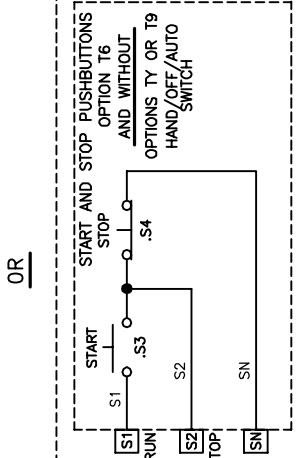
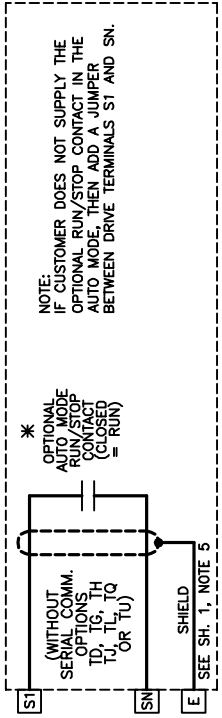


RUN/STOP CONTROL (FROM SHEET 1)



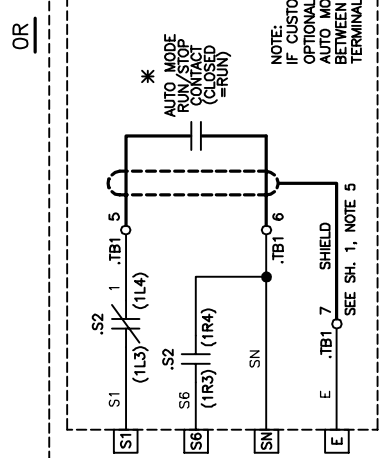
CONTACT SEQUENCE CHART FOR S2
X - INDICATES CONTACT CLOSED

CONTACT	POSITION			MANUF. LOCATION /TYPE
	HAND	OFF	AUTO	
1	X			1RO
2			X	1LO

* SCHEMATIC SHOWS THIS POSITION.

OPTION T6
START AND STOP PUSHBUTTONS
AND WITH
OPTION T9, OR PART OF OPTION T9
HAND/OFF/AUTO SWITCH

NOTE: IF CUSTOMER DOES NOT SUPPLY THE OPTIONAL RUN/STOP CONTACT IN THE AUTO MODE, THEN ADD A JUMPER BETWEEN TERMINAL BLOCK TB1 TERMINALS 5 AND 6.



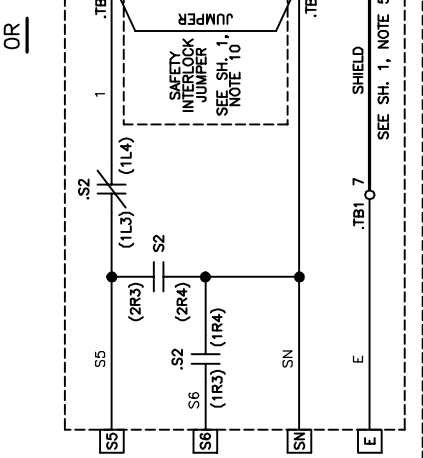
CONTACT SEQUENCE CHART FOR S2
X - INDICATES CONTACT CLOSED

CONTACT	POSITION			MANUF. LOCATION /TYPE
	HAND	OFF	AUTO	
1	X			1RO
2			X	1LO

* SCHEMATIC SHOWS THIS POSITION.

OPTION T9, OR PART OF OPTION T9
HAND/OFF/AUTO SWITCH
AND WITHOUT
OPTIONS TD, TG, TH, TJ, TL, TQ OR TU
SERIAL COMMUNICATIONS

NOTE: IF CUSTOMER DOES NOT SUPPLY THE OPTIONAL RUN/STOP CONTACT IN THE AUTO MODE, THEN ADD A JUMPER BETWEEN TERMINAL BLOCK TB1 TERMINALS 5 AND 6.



CONTACT SEQUENCE CHART FOR S2
X - INDICATES CONTACT CLOSED

CONTACT	POSITION			MANUF. LOCATION /TYPE
	HAND	OFF	AUTO	
1	X			1RO
2			X	1LO
3	X			2RO

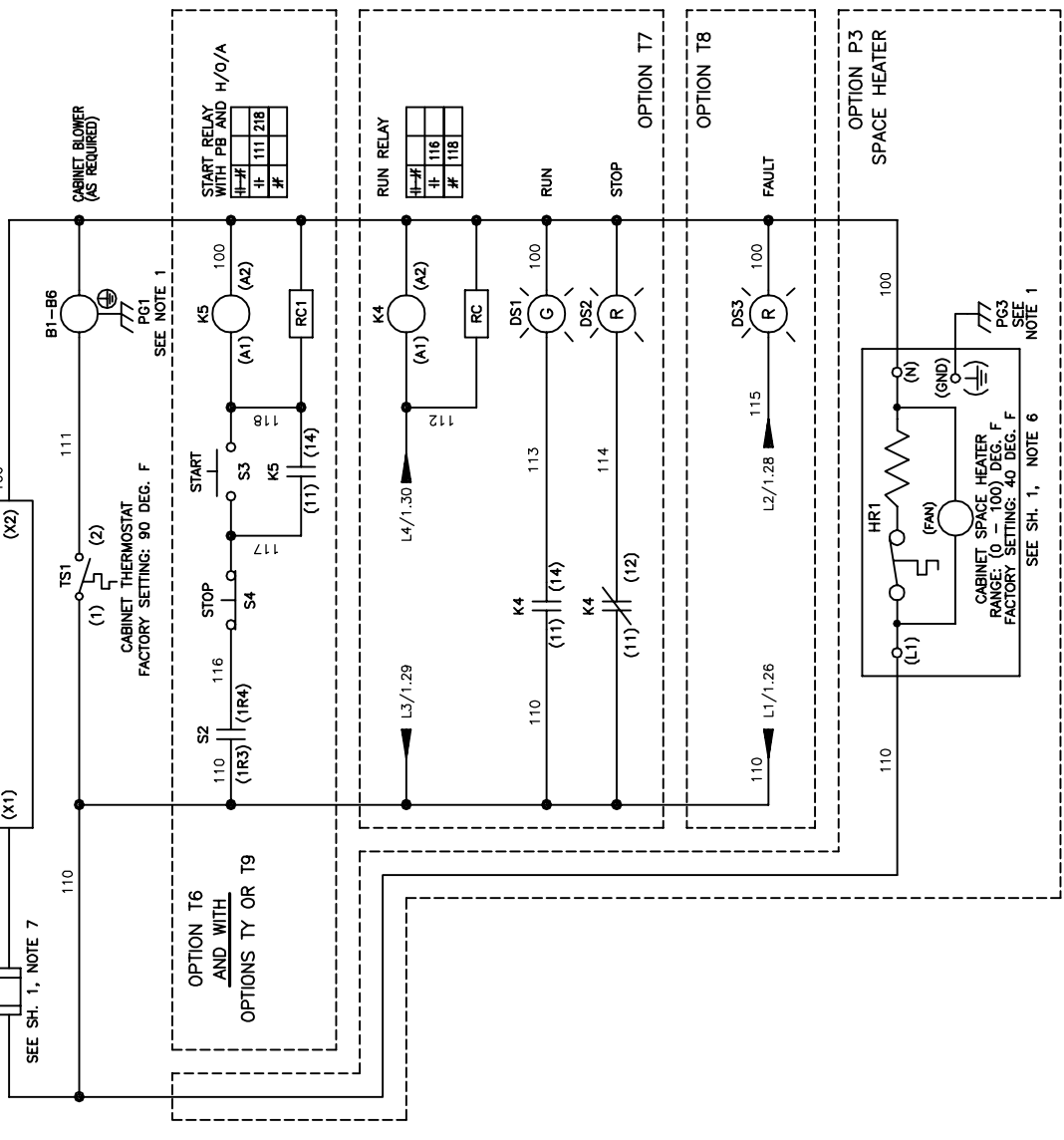
* SCHEMATIC SHOWS THIS POSITION.

OPTION T9, OR PART OF OPTION T9
HAND/OFF/AUTO SWITCH
AND WITH
OPTIONS TD, TG, TH, TJ, TL, TQ OR TU
SERIAL COMMUNICATIONS

NOTE: IF CUSTOMER DOES NOT SUPPLY THE OPTIONAL RUN/STOP CONTACT IN THE AUTO MODE, THEN ADD A JUMPER BETWEEN TERMINAL BLOCK TB1 TERMINALS 5 AND 6.

CONTROL TRANSFORMER PRIMARY CONNECTIONS

INPUT VOLTS	TERMINALS		JUMPER LOCATION
	A	B	
208	(H1)	(H2)	NONE
230/240	(H1)	(H4)	(H1) TO (H3) (H2) TO (H4)
480/480	(H1)	(H4)	(H2) TO (H3)
600	(H1)	(H2)	NONE



START RELAY WITH PB AND H/O/A

#	111	218
#		

RUN RELAY

#	116	118
#		

SEE SHEET 1 FOR NOTES.



THIS DOCUMENT AND INFORMATION CONTAINED IN IT ARE CONFIDENTIAL AND CANNOT BE COPIED OR DISCLOSED IN WHOLE OR IN PART WITHOUT THE EXPRESS WRITTEN CONSENT OF YASKAWA AMERICA, INC.

DATE	09/19/13	TITLE	SCHEMATIC DIAGRAM
DATE	09/19/13	DESIGNED BY	IQJUMP1000 CONFIGURED
DATE	09/19/13	TECH	TYPE 3R
DATE	09/19/13	APPROVED BY	HARMONIC FILTER READY
DATE	09/19/13	REVISION	SIZE
DATE	09/19/13	REVISION	D
DATE	09/19/13	REVISION	01
DATE	09/19/13	REVISION	2 of 3
DATE	09/19/13	REVISION	DS.Q1C3R.11

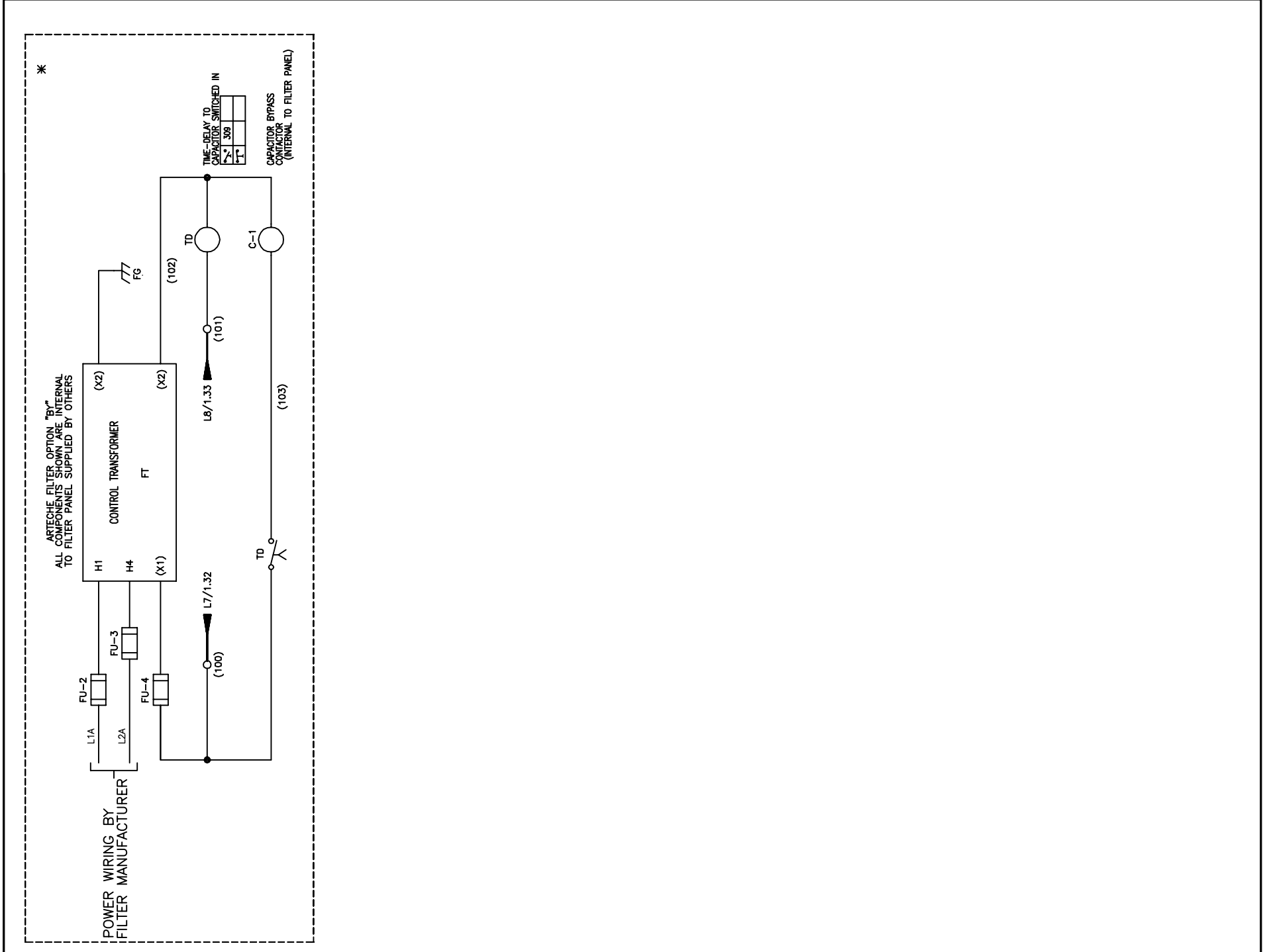


TABLE 2 ARTECHE FILTER SELECTION TABLE

BASE IQPUMP 1000 MODEL NO.	CIMR-PW4A0	CURRENT	ARTECHE LPF SERIES HARMONIC FILTER
Q1C3B034	038	34	LPF 0048 480 K_ *** 65KASCCR LG ##
Q1C3B040	044	40	LPF 0048 480 K_ *** 65KASCCR LG ##

WHERE *** = N1, N3R, or OPN; WHERE ## = BY or is blank; or _ = B or S

SEE SHEET 1 FOR NOTES.



DRAWN BY N. LAWS	DATE 09/19/13	TITLE SCHEMATIC DIAGRAM
CHECKED D.R. CMELAK	DATE 09/19/13	TYPE IQPUMP1000 CONFIGURED
TECH	DATE	SIZE HARMONIC FILTER READY
APPROVED K. FLIERL	DATE 09/19/13	REVISION D 01
DESIGNED BY N. LAWS	DATE 09/19/13	DRAWING # DS.Q1C3R.11

THIS DOCUMENT AND INFORMATION CONTAINED IN IT ARE CONFIDENTIAL AND CANNOT BE COPIED OR DISCLOSED IN WHOLE OR IN PART WITHOUT THE EXPRESS WRITTEN CONSENT OF YASKAWA AMERICA, INC.

THIS PAGE FOR CUSTOMER USE ONLY